

ISTRUZIONE PER L'USO – AUFBAUANLEITUNG – USER INSTRUCTION

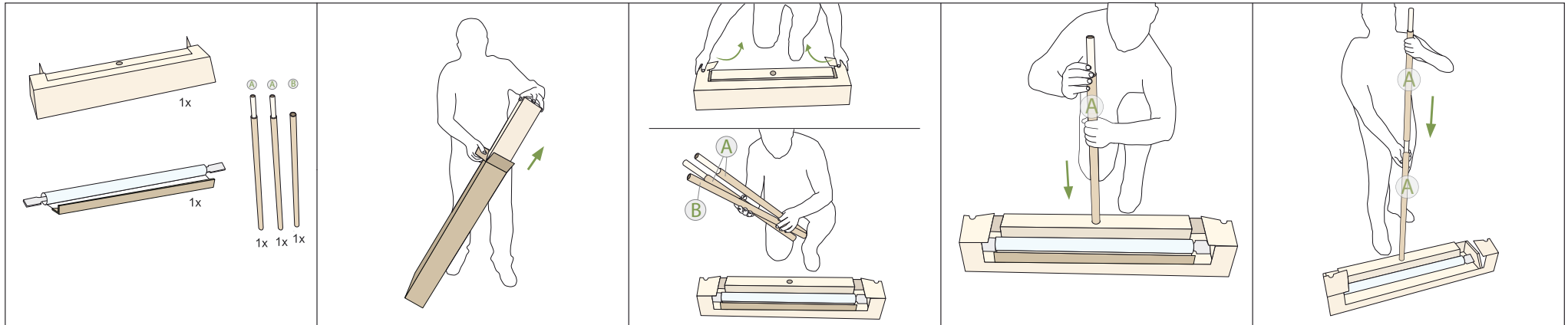
100% INNOVATION 100% RECYCLABLE 100% MADE IN ITALY
WE CARE FOR OUR ENVIRONMENT
PRODUCED GREEN & SOCIAL



ANTONIO LANZILLO SPARTNERS
Design Services Communication



PATENT PENDING



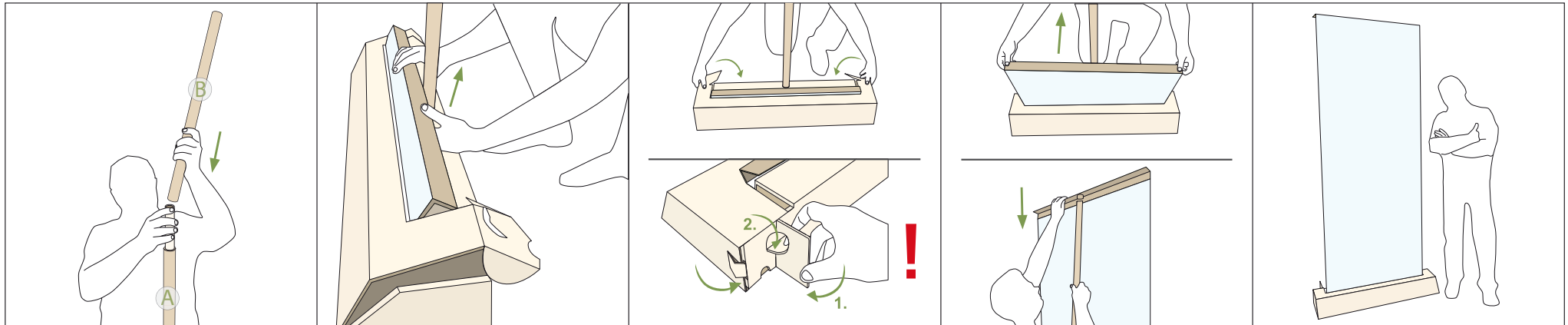
peso/Gewicht/weight: 2,5kg
misure/Maße/sizes: 2100*970*300mm

01 aprire la scatola
Umkarton öffnen
open the packing box

02 aprire il kit Greenboarder, estrarre i tubi
Greenboarder Kit öffnen, Röhren herausnehmen
open the Greenboarder kit, extract the tubes

03 assemblare i tubi cominciando dal tubo A
Haltestab zusammenstecken beginnend mit Röhre A
assemble the extender starting with tube A

04 continuare l'assemblaggio con il tubo A
zweite Röhre A aufstecken
continue using the second tube A



05 completare l'assemblaggio con il tubo B
finale Röhre B aufstecken
finish the structure using tube B

06 estrarre il banner dalla base
oberes Bannerende aus Basis ziehen
remove the end part of the banner out of the base

07 chiudere la base e posizionare i piedini
perpendicolarmente alla base
Basis schließen, Standfüßchen öffnen und fixieren
close the base, open and fix the feet

08 srotolare il banner e fissarlo sull'asta
Banner nach oben rollen und an Röhre befestigen
roll out the banner and fix it to the pole

09 fatto in 60 secondi!
fertig in 60 Sekunden!
done in 60 seconds!

ISTRUZIONI PER LA STAMPA DEL BANNER – ANLEITUNG FÜR BANNERDRUCK TIPOGRAPHY INSTRUCTION

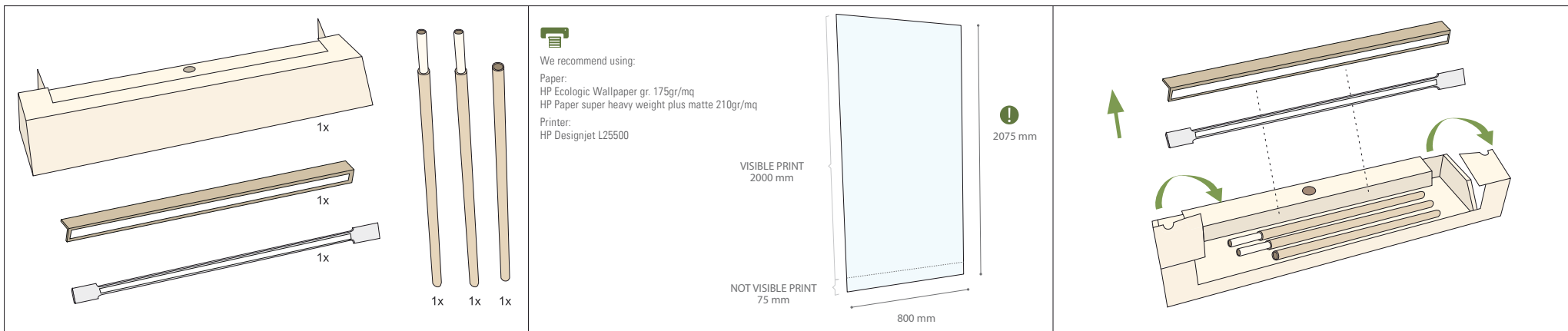
100% INNOVATION 100% RECYCLABLE 100% MADE IN ITALY
WE CARE FOR OUR ENVIRONMENT
PRODUCED GREEN & SOCIAL



ANTONIO LANZILLO SPARTNERS
Design
Sustainable
Communication



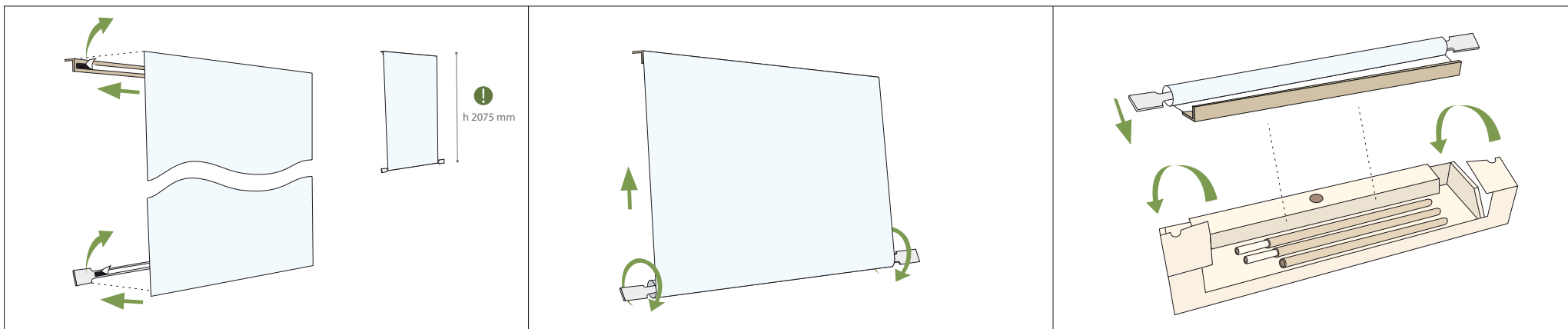
PATENT PENDING



peso/Gewicht/weight: 2,5kg
misure/Maße/sizes: 2100*970*300mm

01 stampare il banner
Banner drucken
print the banner

02 aprire la base ed estrarre i due listelli per il banner
Basis öffnen und Einzelteile herausnehmen
open the base and take out the two banner holders



03 attaccare il banner ai listelli provvisti di adesivo
Folie auf Klebestreifen abziehen und Banner an Leisten kleben
remove film and attach the supports to the banner

04 arrotolare il banner
Banner zusammenrollen
roll up the banner

05 riporre il banner nella base e richiudere il kit
Banner in Basis legen und Kit schließen
put the banner into the base and close the kit